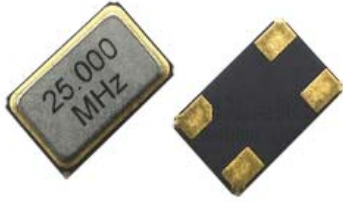




SMD CRYSTAL UNITS

◆ SMD5032B Series 5.0*3.2 Seam Sealing Crystal

FEAYURES



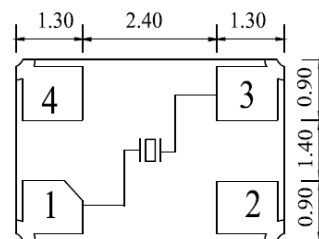
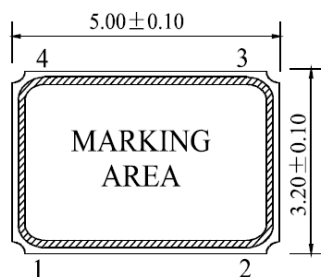
- Compact and thin (5.0*3.2*0.90mm max)
- Prepared frequencies can meet most of bluetooth chipsets
- Networking design,wireless module devices,multimedia devices,and other portable consumer devices
- Excellent heat resistance and shock resistance.
- Products that are lead-free.These can meet the requirement of re-flow profilin using lead-free solder

◆ 标准规格Electrical Specific

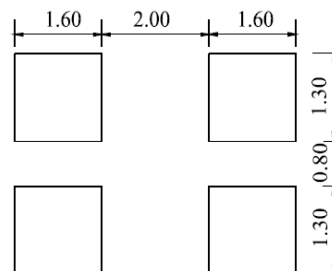
| Item | Type | SMD5032B | | | | |
|--|------|------------------------------------|--------------|--------------|--------------|--------------|
| 频率范围 Frequency Range (F ₀) | | 8-9.999MHz | 10-11.999MHz | 12-23.999MHz | 24-54.000MHz | 48-80.000MHz |
| 振动模式 Mode of Vibration | | Fundamental | | | | 3RD |
| 负载电容 Load Capacitance (CL) | | 10pF to Series | | | | |
| 调整频差 Frequency Tolerance ΔF/F ₀ | | ±10ppm,±20ppm,±30ppm,±50ppm(At25℃) | | | | |
| 等效电阻 Equivalent Series Resistance | | 120Ω max | 80Ω max | 50Ω max | 30Ω max | 70Ω max |
| 温度频差 Temperature Stability (TC) | | ±10ppm,±20ppm,±30ppm,±50ppm(At25℃) | | | | |
| 工作温度 Operating Temperature Range | | -20~+70℃,-40~+85℃ Option | | | | |
| 贮存温度 Storage Temperature Range | | -55~+125℃ | | | | |
| 静态电容 Shunt Capacitance (C ₀) | | 7pF max. | | | | |
| 绝缘电阻 Insulator Resistance (IR) | | 500MΩ min.(At 100VDC) | | | | |
| 激励功率 Drive level (DL) | | 100μW(300μW max) | | | | |
| 年老化率 Aging (Fa) | | ±2ppm max.(At 25℃,First year) | | | | |
| 最小包装 Packing Unit | | 1000pcs/reel | | | | |

**Please contact us for inquiries regarding other Specificatinos

◆ 外型尺寸Mechanical Dimensions(mm)



Recommended Solder Pattern

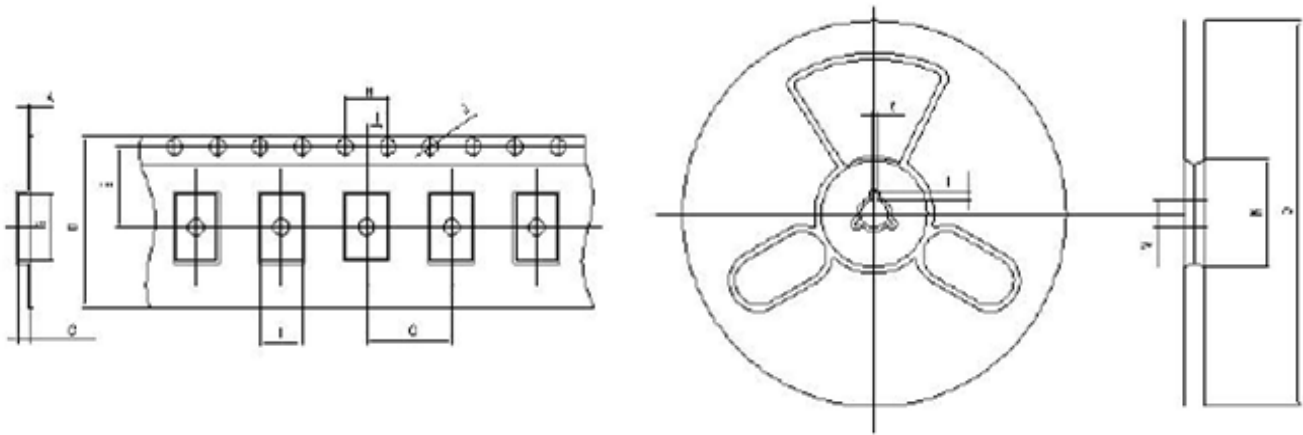




PACKAGE

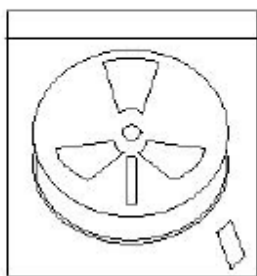
■ Packing

UNIT(位):mm(毫米)

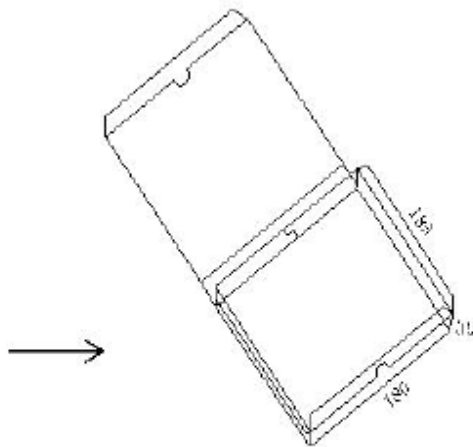


| TEYE | A | B | C | D | E | F | G | H | I | J | K | L | M | N | O |
|-------|-----|-----|-----|----|-----|-----|---|---|---|-----|---|---|----|----|-----|
| 5×3.2 | 0.3 | 5.5 | 1.2 | 12 | 5.5 | 3.7 | 8 | 4 | 2 | 1.5 | 2 | 4 | 13 | 50 | 180 |

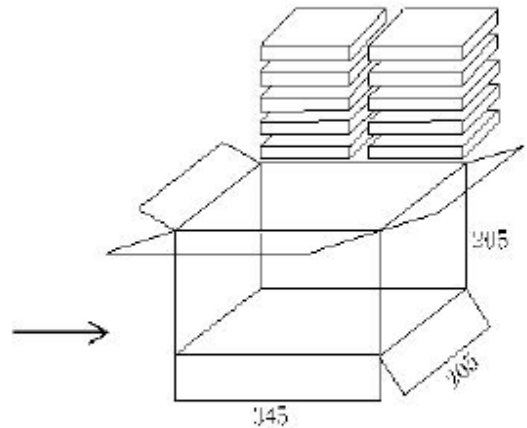
Packaging specifications



自封袋(Bag)
1000只 = 1
1000pcs = 1 Reel



内包装(Inside package)
1 = 1 盒
1 Reel = 1 box



外包装(Outside Package)
10 盒 = 1 箱
10 box = 1 carton