

SMD CRYSTAL UNITS

◆SMD2520 Series 2.5*2.0 Seam Sealing Crystal



FEAYURES

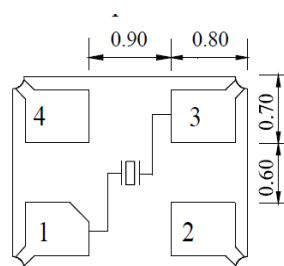
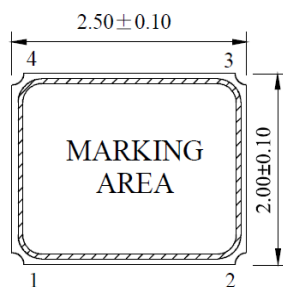
- Compact and thin (2.5*2.0*0.65mm max)
- Excellent electrical performance, ideal for OA (office automation), AV (audiovisual), Bluetooth and Wireless LAN applications
- Excellent hrat resistance and shock resistance.
- Lead-free. Meets the requirements for re-flow profiling using leadfree solder

◆标准规格 Electrical Specific:

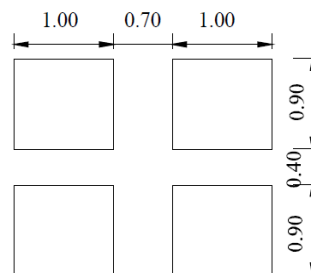
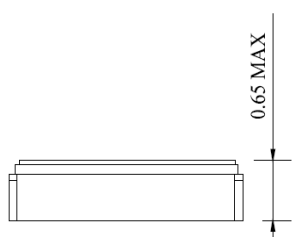
Item	Type	SMD2520			
频率范围 Frequency Range (Fo)		12-15.999MHz	16-19.999MHz	20-25.999MHz	26-62.500MHz
振动模式 Mode of Vibration		Fundamental			
负载电容 Load Capacitance (CL)		8-16pF			
调整频差 Frequency Tolerance $\Delta F/F_0$		$\pm 10\text{ppm}, \pm 20\text{ppm}, \pm 30\text{ppm}$ (At 25°C)			
等效电阻 Equivalent Series Resistance ESR		120Ω max	100Ω max	80Ω max	50Ω max
温度频差 Temperature Stability (TC)		$\pm 10\text{ppm}, \pm 20\text{ppm}, \pm 30\text{ppm}$ (At 25°C)			
工作温度 Operating Temperature Range		-20~+70°C, -40~+85°C Option			
贮存温度 Storage Temperature Range Tstg		-55~+125°C			
静态电容 Shunt Capacitance (Co)		3pF max.			
绝缘电阻 Insulator Resistance (IR)		500MΩ min. (At 100VDC)			
激励功率 Drive level (DL)		50μW (100μW max)			
年老化率 Aging (Fa)		$\pm 2\text{ppm max.}$ (At 25°C, First year)			
最小包装 Packing Unit		3000pcs/reel			

**Please contact us for inquiries regarding other Specificatinos

◆外型尺寸 Mechanical Dimensions(mm)



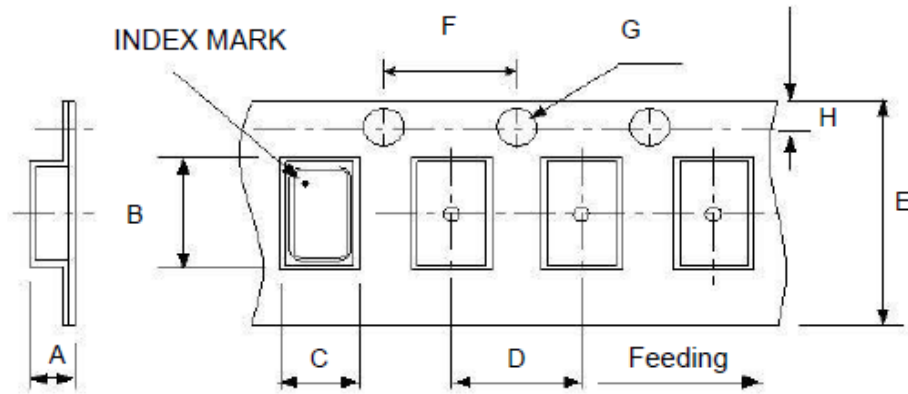
Recommended Solder Pattern





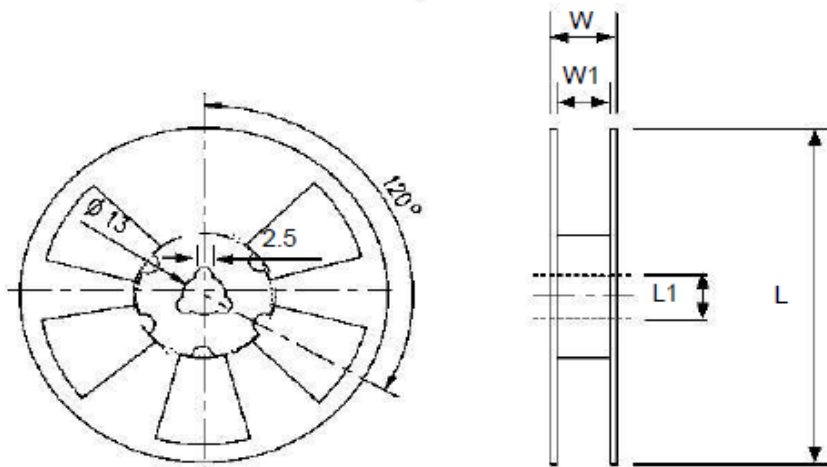
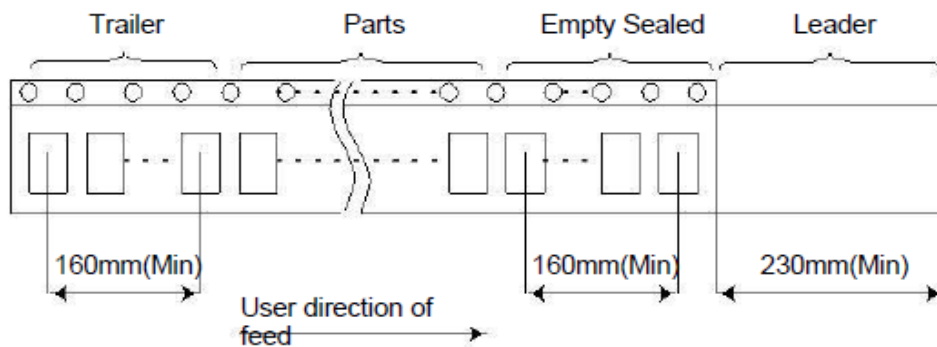
PACKAGE

PACKING : (EIA-481-2)



DIMENSIONS	A	B	C	D	E	F	G	H	(UNIT :
	1.00	2.75	2.25	4.00	8.00	4.00	1.50	1.50	mm)

REMARK :



DIMENSIONS	L	L1	W	W1	pcs / Reel (UNIT : mm)
	178	13.5	11.2	9.5	Standard Reel Quantity is 3,000 pcs per reel