

SMD CRYSTAL UNITS

◆SMD2016 Series 2.0*1.6 Seam Sealing Crystal



FEAYURES

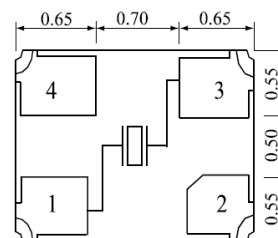
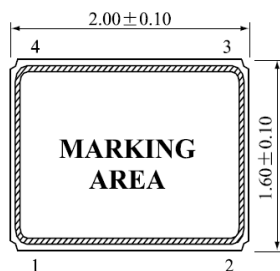
- Compact and thin (2.0*1.6*0.50mm max)
- Frequency range of 16 to 62.5M with Fund
- Ideal for smartpone applicatinos with limited design space, miniaturized wireless module devices,RFID application,and other consumer based products
- Lead-free.Meets the requirements for re-flow profiling using leadfree solder

◆标准规格Electrical Specificati

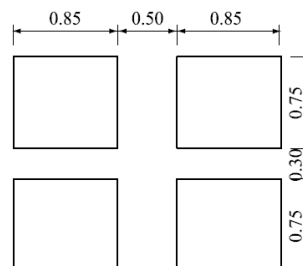
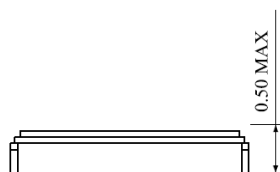
Item	Type	SMD2016			
频率范围 Frequency Range (F ₀)		16-18.999MHz	19-24.999MHz	25-29.999MHz	30-62.500MHz
振动模式 Mode of Vibration		Fundamental			
负载电容 Load Capacitance (CL)		8-16pF			
调整频差 Frequency Tolerance ΔF/F ₀		±10ppm,±20ppm,±30ppm(At25°C)			
等效电阻 Equivalent Series Resistance ESR		200Ω max	100Ω max	80Ω max	60Ω max
温度频差 Temperature Stability (TC)		±10ppm,±20ppm,±30ppm(At25°C)			
工作温度 Operating Temperature Range		-20~+70°C,-40~+85°C Option			
贮存温度 Storage Temperature Range T _{stg}		-55~+125°C			
静态电容 Shunt Capacitance (C ₀)		3pF max.			
绝缘电阻 Insulator Resistance (IR)		500MΩ min.(At 100VDC)			
激励功率 Drive level (DL)		50μW(100μW max)			
年老化率 Aging (Fa)		±2ppm max.(At 25°C,First year)			
最小包装 Packing Unit		3000pcs/reel			

**Please contact us for inquiries regarding other Specificatinos

◆外型尺寸Mechanical Dimensions(mm)

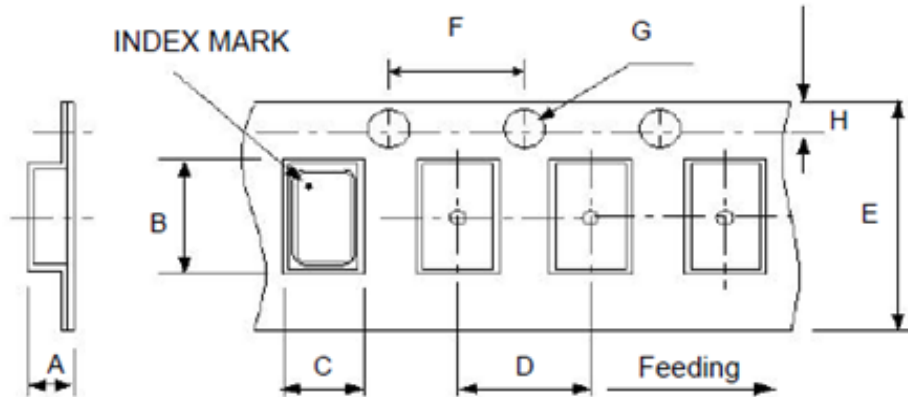


Recommended Solder Pattern



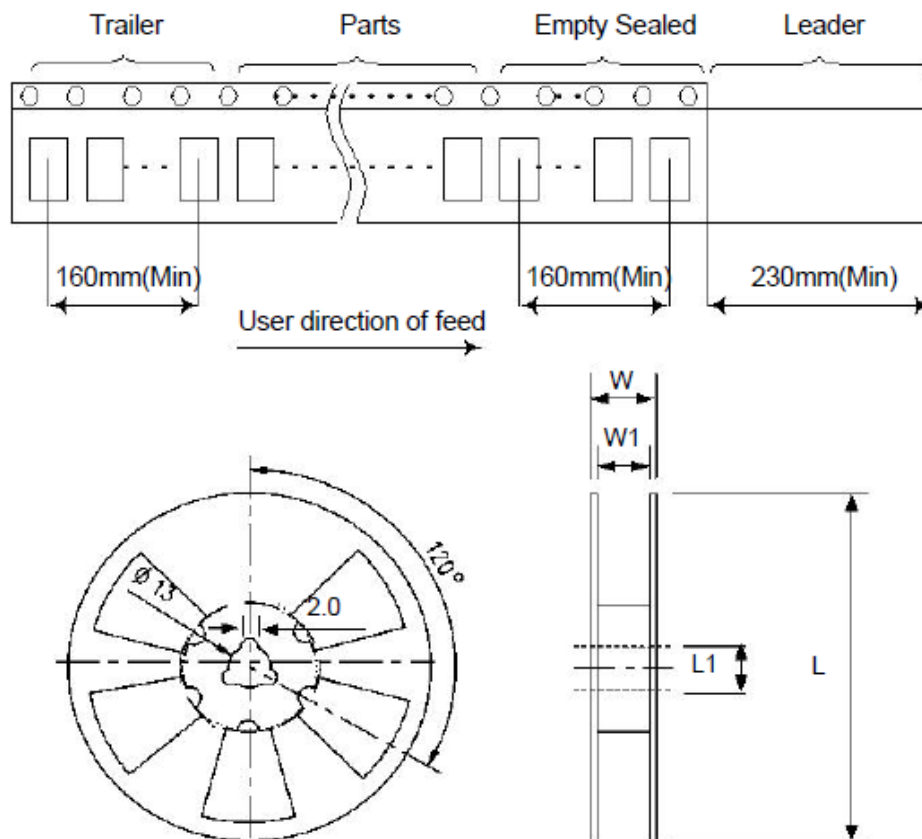
PACKAGE

■ 包装 Packing



DIMENSIONS	A	B	C	D	E	F	G	H	(UNIT : mm)
	0.65	2.25	1.85	4.00	8.00	4.00	1.50	1.50	

REMARK :



DIMENSIONS	L	L1	W	W1	pcs / Reel (UNIT : mm)
	178	13	11.2	9.5	Standard Reel Quantity is 3,000 pcs per reel