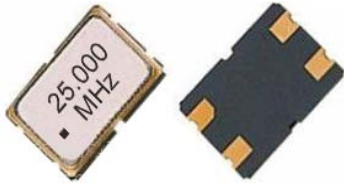




## • OSC2520 Seam Sealing Crystal



### FEAYURES

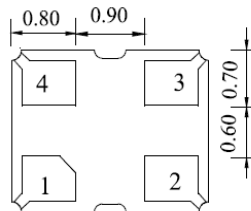
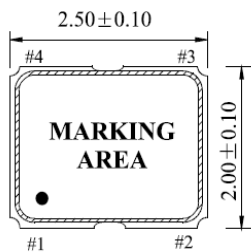
- Tri-State Enable/Disable
- TTL/HCMOS compatible
- Home security devices, networking, and base station applications
- 3.3V, 2.5V, 1.8V, 1.5V option
- 2.5\*2.0\*0.9 Miniature Package

### Electrical Specifications

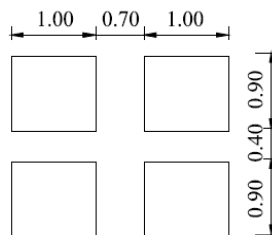
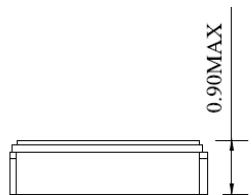
parameter	Condition	OSC2520				
Frequency Range	F0	1.000MHz~60.000MHz				
Frequency Stability *	All Condiyion	±20ppm, ±50ppm ±100ppm				
Operating Temperature Range	T <sub>OPR</sub>	-20°C~+70°C(-40°C~+85°C option)				
Storage Temperature Range	T <sub>STG</sub>	-55°C~+125°C				
Power suppl Voltage	V <sub>DD</sub>	3.3V+/-10%	2.5V+/-10%	1.8V+/-10%	1.5V+/-10%	
Supply Current	I <sub>DD</sub>	1.000MHz - 9.999MHz	15mA Max	8ma Max	7mA Max	6mA MaX
		10.000MHz - 34.999MHz	20mA Max	10mA Max	8mA Max	7mA Max
		35.000MHz - 49.999MHz	35mA Max	25mA Max	20mA Max	15mA Max
		50.000MHz - 54.000MHz	40mA Max	35mA Max	30mA Max	25mA Max
Output Symmetry	Sym	At 1/2VDD				
Rise Time	T <sub>s</sub>	10%VDD~10%VDD				
Fall Time	T <sub>r</sub>	90%VDD~10%VDD				
Output Voltag	V <sub>OH</sub> V <sub>OL</sub>	90%VDD Min				
		10%VDD Max				
Output Load	HCMOS Load	15PF TYP				
Start Time	T <sub>s</sub>	10mS Max				
Stand-by Function		Yes				
Aging(First Year)	25°C±3°C	±2ppm Msx				
Pin 1, tri-state function		pin 1=H or open....Output active at pin 3				
		pin 1=L.....high impedance at pin 3				
packing Unit		3000pcs/reel				

\*Include:25°C tolerance,operating temperature range input voltage change, aging, load ,change shock and vibration

### Mechanical Dimensions(mm)



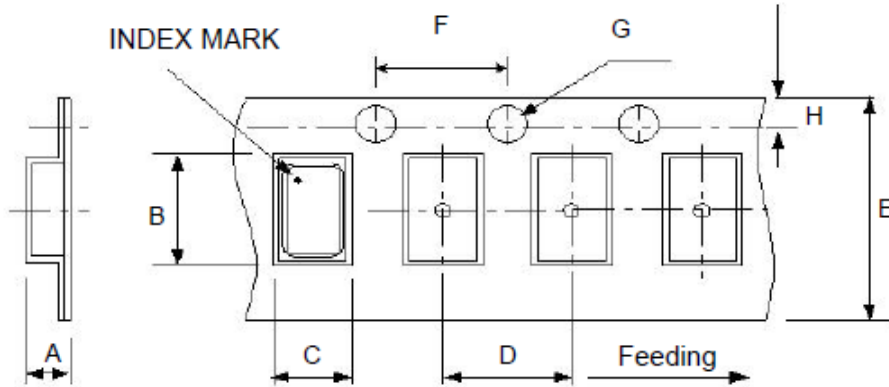
Recommended Solder Pattern



Pin	Connction
#1	Tri-State
#2	GND
#3	Output
#4	VDD

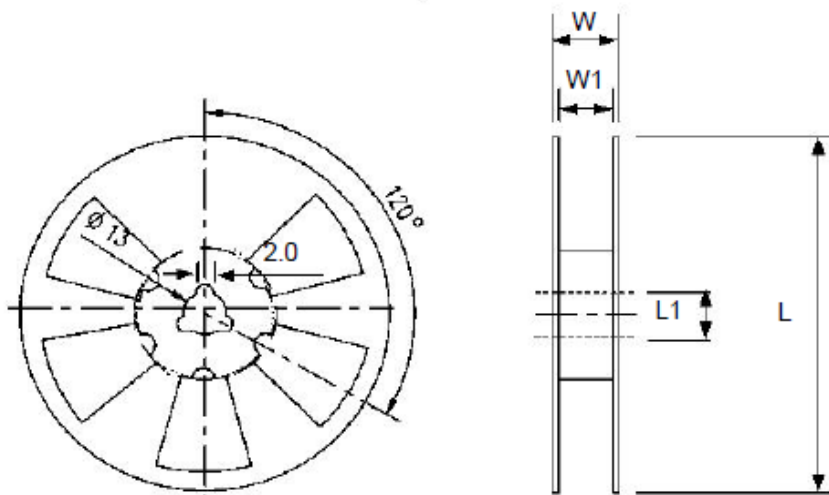
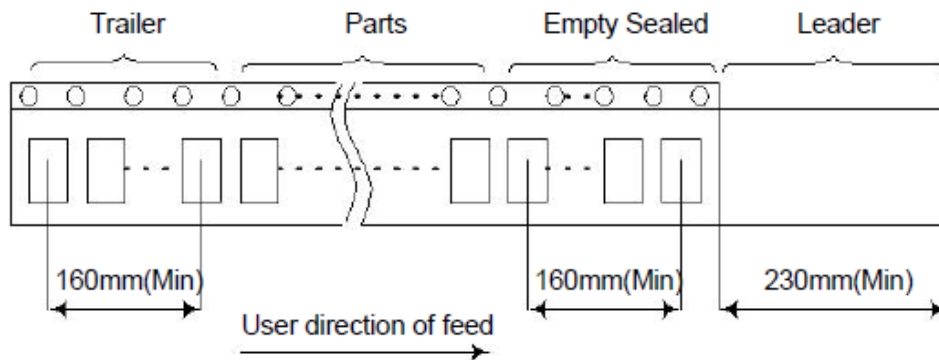


• Packing



DIMENSIONS	A	B	C	D	E	F	G	H	(UNIT : mm)
	1.15	2.75	2.25	4.00	8.00	4.00	1.50	1.50	

REMARK :



DIMENSIONS	L	L1	W	W1	pcs / Reel (UNIT : mm)
	178	13	12.5	9.5	Standard Reel Quantity is 3,000 pcs per reel